

## 20W DALI-2 DT8/2-channel DALI-2 DT6 + PUSH Dimming power supply



### Features

- For luminaries of protection Class II, SELV, Built-in/Independent (With side caps)
- Input Voltage: 220-240V
- Protections: SCP/OLP/OVP/OTP
- Power Factor: 0.95
- Efficiency: 87%@500mA,full Load,230Vac
- Support DALI-2,Push Dimming,DT8 (Tunable White),DT6
- Adjustable Output Current with NFC
- Suitable for emergency lighting acc. to EN 50172
- EOfi=15%
- 22mm height
- DALI maintainace(Part 251,252,253,209)
- 5 years warranty

### Applications

- LED panel, LED down light
- LED spot light

■ Approve

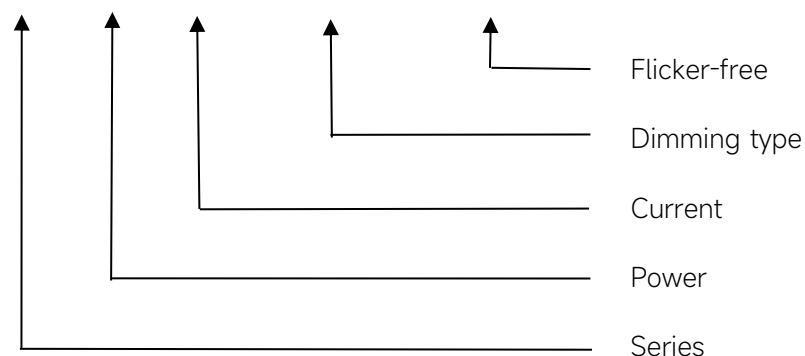


### ◆ Description

FLS-20-500 DALI-2 DT8 LN ADV is a 20W constant current LED driver that operates from 198-264Vac input with 80 to 500mA output current and a forward voltage range from 2.5 to 49Vdc. The output current is adjustable by NFC. And it can also be switched via NFC for the modes of DALI-2 DT8 or 2-channel DALI-2 DT6. With its dimensions from 98x 43 x 22mm. It is easy to integrate in LED Panel and down light products. To ensure trouble-free operation, protection is provided against output short circuit, over load, over voltage and over temperature.

### ◆ Model code

FLS-20-500 DALI-2 DT8 LN ADV



Stock code : 002922

Article information 2026/05/09

REV: B

lighting.eaglerise.com

YGE-DZ-YF-UUZ-U7A

## ◆ Specification

Output	Constant Current (mA)	80-408mA	409-444mA	445-476mA	477-500mA
	Voltage Range(VDC)	2.5-49VDC	2.5-45VDC	2.5-42VDC	2.5-40VDC
	Unload voltage Max.(VDC)	60VDC			
	Current Accuracy	±5%@ > 100mA; ±7% @≤100mA			
	Output current ripple(≤120Hz)	±3%			
	SVM	≤0.4@Full Load,230Vac			
	P <sub>st</sub>	≤1@Full Load,230Vac			
	Efficiency(Typ.)	87%@500mA,full Load,230Vac			
	EOF1	15%			
Input	Rated input voltage(VAC)	220-240VAC			
	Range of input voltage(VAC)	198-264VAC			
	Maximum voltage	300VAC@1 h maximum,unit might not operate in this abnormal condition			
	Rated of input voltage(VDC)	220-240VDC			
	Range of input voltage(VDC)	176-280VDC			
	Frequency(Hz)	0/50/60 Hz			
	Displacement Factor	≥0.9@full load, 230Vac			
	Power Factor	0.95@full load, 230Vac			
	Input Current max	0.2A max			
	Start-up time	< 0.8S			
	Switch over time(AC/DC mode)	< 0.5S			
	Standby Power	≤0.3W, @220Vac			
	No Load Power	≤0.3W, @220Vac			
	THD (Typ.)	< 10%@full load,230Vac			
Dimming	Dimming	YES			
	Dimming mode	DALI-2 (IEC 62386-101,102,207,209,251,252,253) &Push Dimming (Corridor Function)			
	Dimming depth	3mA@80-300mA, 1%@300-500mA			
	Dimming current range	1-100%			
	Dimming method	1%-12.5% @PWM dimming, 12.5%-100% @AM dimming			
Protection	Over Load Protection	103-120% YES/Latch off			
	Over Voltage Protection	60VDC YES/Latch off			
	Short circuit Protection	YES/Latch off			
	Over Temperature Protection	YES/Auto Resume			
capability	Surge capability (L-N)	1KV			
	Surge capability (L/N-Ground)	NA			
Withstand voltage	Input-Output	3750V/ 5mA/ 60S			
	Input-DALI	1500V/5mA/60S			

Environment	Operating Temperature	-20°C~+45°C
	Humidity	20%-90%RH
	Tc	75°C
	Storage Temperature	-40°C~+75°C
	Life time	> 50000h,@TC=75°C
	Noise	≤25dB(A)@20cm
Surface	Dimension	98 x 43 x 22 mm (With side caps) : 132 X43X22mm
	material	PC
Standards	Safety	GB19510. 1, GB19510. 14;IEC61347- 1, IEC61347-2- 13;AS/NZS 61347- 1, AS/NZS 61347-2- 13;AS 61347.2.13;EN62384;
	EMC	GB/T17743, GB17625. 1;EN55015, EN61000-3-2, EN61000-3-3, EN61547;EN55015, EN61000-3-2, EN61000-3-3, EN61547,EN 62493;EN61000-4-5;EN61000-4-2,3,4,5,6,8,11, EN61547
	Energy Efficiency	Erp2.0 EU 2019/2020
	RoHS	RoHS (2011/65/EU) (EU)2015/863
DALI performance	EN 62386-101 (DALI-2) EN 62386-102 (DALI-2) EN 62386-207 (DALI-2,including part251,252,253)	
Note	<p>1.All parameters not specially mentioned are measured at 230VAC input , full load and 25°C of ambient temperature.</p> <p>2.Ripple &amp; Noise are measured at 20MHz of bandwidth by using a 300mm twisted pair-wire terminated with a 0.1uF &amp; 47uF parallel capacitor.</p> <p>3.DALI protocol comprises 16 groups and 64 addresses.Up to 32 drivers can perform the PUSH dimming at the same time when utilizing one push button.</p> <p>4.The DC input for this product is only used for emergency lighting and applies to functional and safety requirements, EMC is not considered.</p>	

## ◆ Parameter

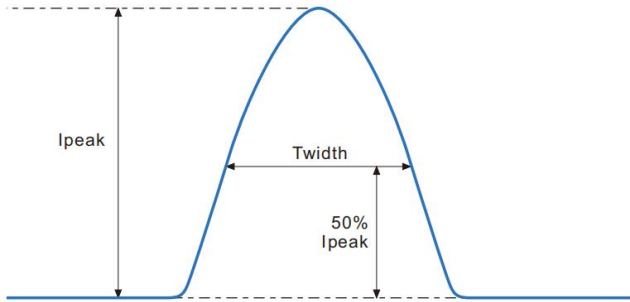
Number	Output			
	Current (mA)	Voltage (VDC)	Voltage No load (VDC)	Power (W)
1	80-408mA	2.5-49VDC	60VDC	3.9-20W
2	409-444mA	2.5-45VDC	60VDC	18.4-20W
3	445-476mA	2.5-42VDC	60VDC	18.7-20W
4	477-500mA	2.5-40VDC	60VDC	19.1-20W

### Notes:

- 1.The Factory Default Current is 80mA.
- 2.Factory default is set to DT8 mode,it can be switched to DT6 mode via NFC.

## ◆ Inrush Current

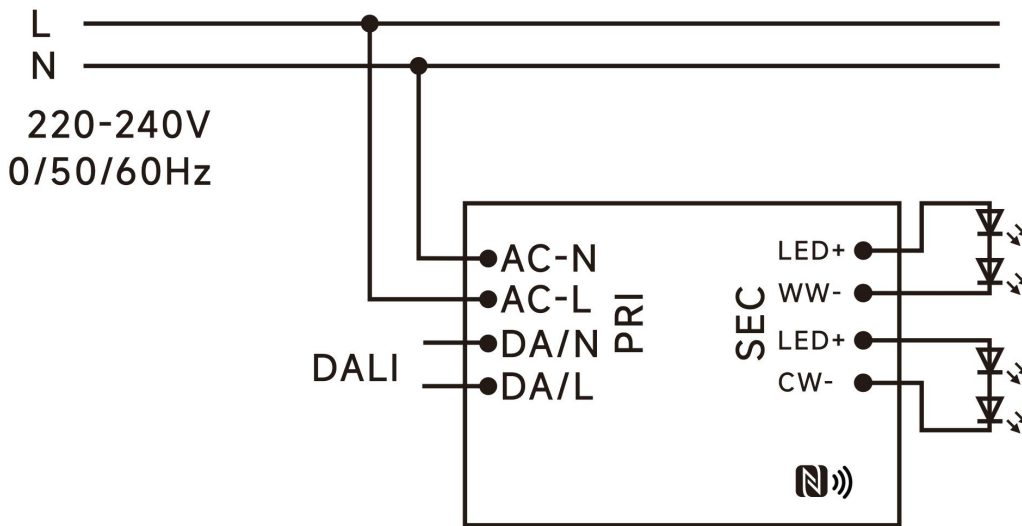
<b>I<sub>peak</sub></b>	<b>T<sub>width</sub></b>	B10	B16	B20	C10	C16	C20
5.22A	38μs	40pcs	64pcs	80pcs	40pcs	64pcs	80pcs



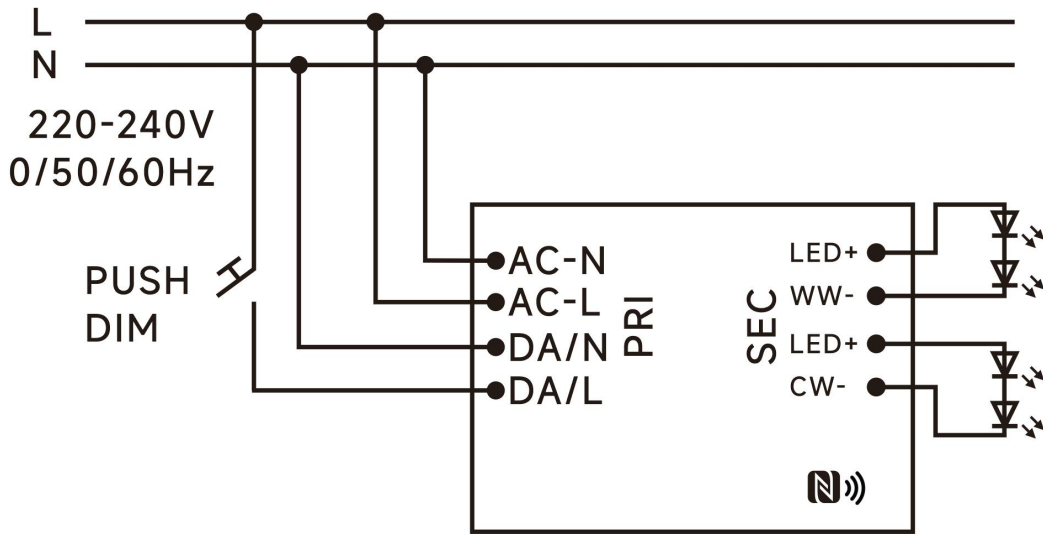
**Remarks:**

1. The number of drives mounted under different MCBs in the table is the maximum value. Please do not exceed this number during installation.
2. Different brands and models of miniature circuit breakers, the number of drives mounted will be slightly different.

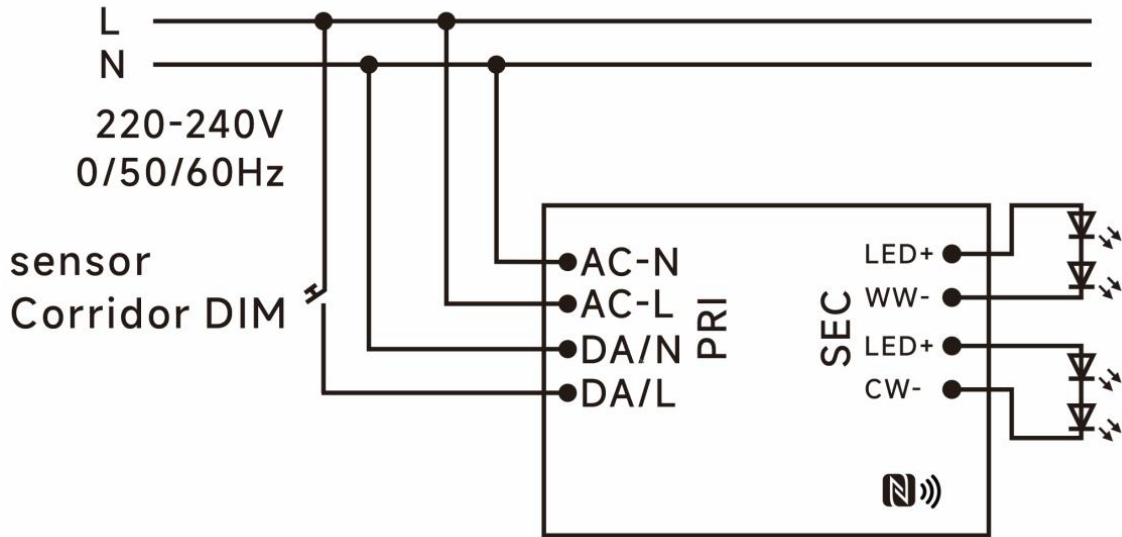
## ◆ Wiring diagram



DALI dimming application

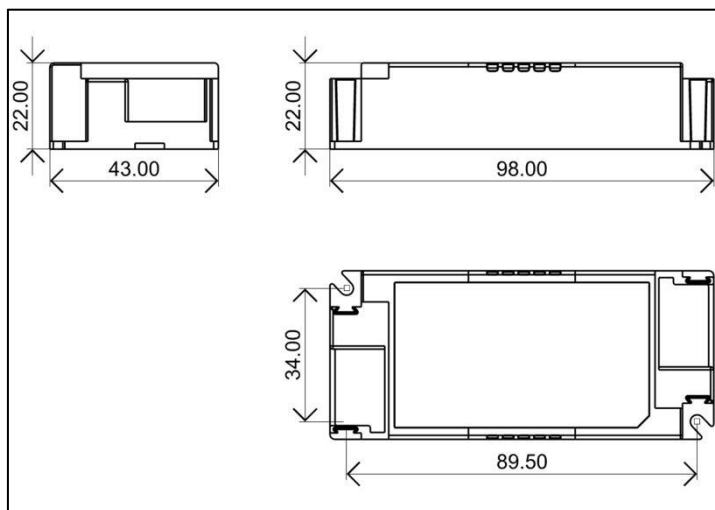


Push DIM dimming application

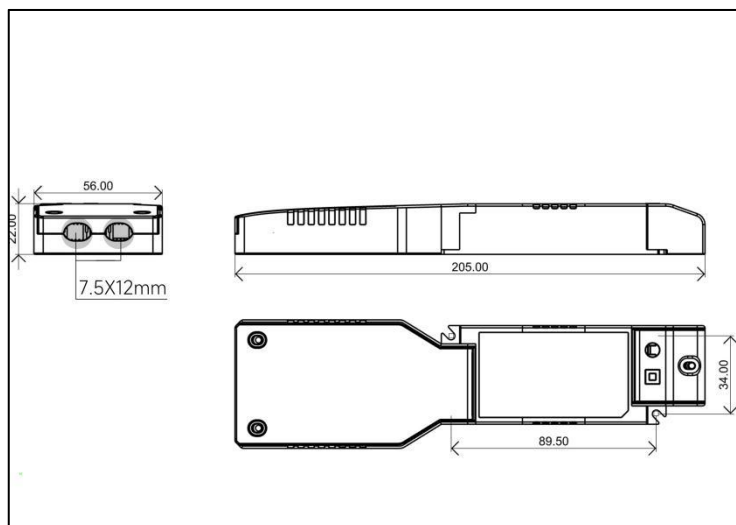
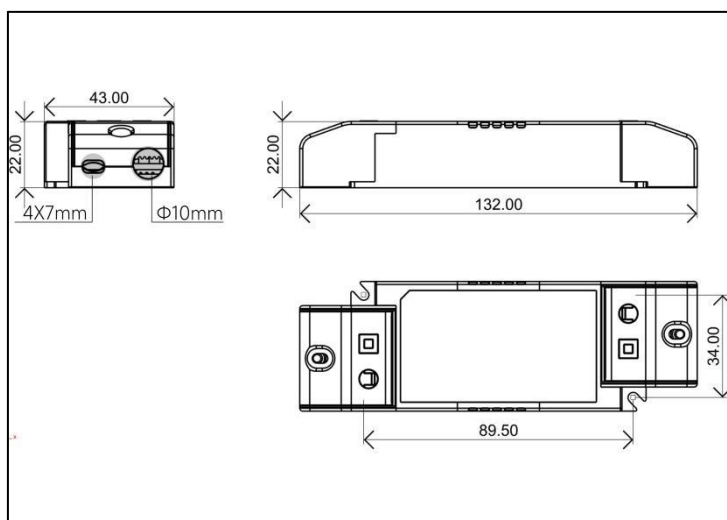


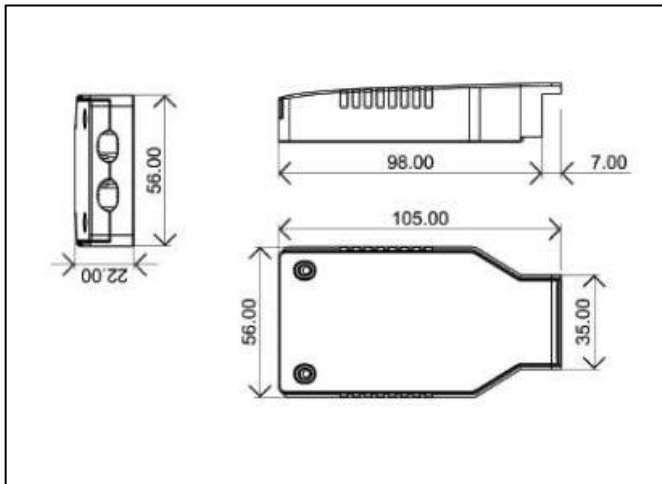
Corridor DIM dimming application

## ◆ 2D diagram

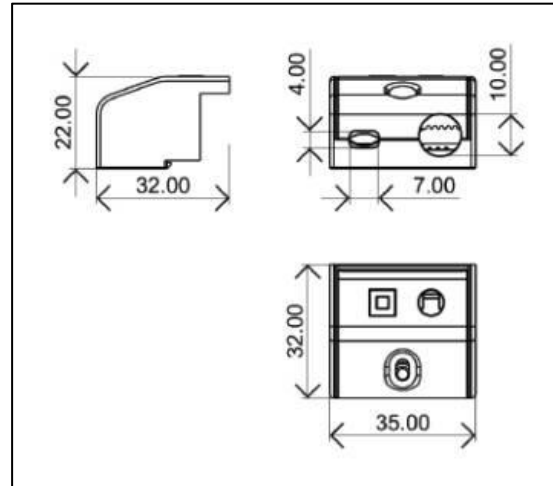


## With side caps





A caps

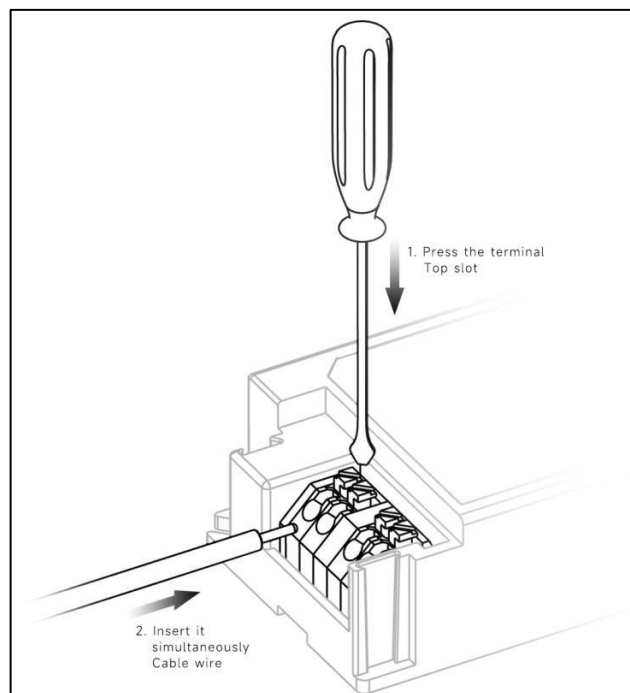


B caps

132021T0209	Top,Grey Side Cap and Bottom
132021T0209-2	Top,White Side Cap and Bottom
1270100280	Screws for Big Side Cap
126016T0009	5P Terminal for Big Side Cap

132021T0198	Top,Grey,without“Don't Cover” mark+Bottom,White
132021T0198-1	Top,Grey,with“Don't Cover” mark+Bottom ,Big,White
132021T0198-3	Top,White,with“Don't Cover” mark+ Side Cap Bottom ,White
1270100280	Screws

## Terminal



## ◆ Wiring & Connections

Specification item		Value (Unit )
Input	Input wire cross-section	0.5...1.5 mm <sup>2</sup> (With side caps: 0.75...1.5 mm <sup>2</sup> )
	Input wire gauge.	16...20 AWG (With side caps: 16...22 AWG )
	Input wire strip length	7...9mm
Output	Output wire cross-section	0.5...1.5 mm <sup>2</sup>
	Output wire gauge.	16...20 AWG
	Output wire strip length	7...9mm

## ◆ Recommended wire

Small side cap of small hole	Wire type
0.5mm <sup>2</sup>	H03VVH2-F 2 core&3 core
	H03VV-F 2 core&3 core
0.75mm <sup>2</sup>	H03VVH2-F 2 core&3 core
	H03VV-F 2 core&3 core
	H05VV-F 2 core
1.0mm <sup>2</sup>	H05VVH2-F 2 core
1.5mm <sup>2</sup>	CCC 08(RV-90)

Small side cap of big hole	Wire type
0.75mm <sup>2</sup>	H05VV-F 2 core&3 core&4 core
1.0mm <sup>2</sup>	H05VV-F 2 core&3core
1.5mm <sup>2</sup>	H05VV-F 2 core&3core

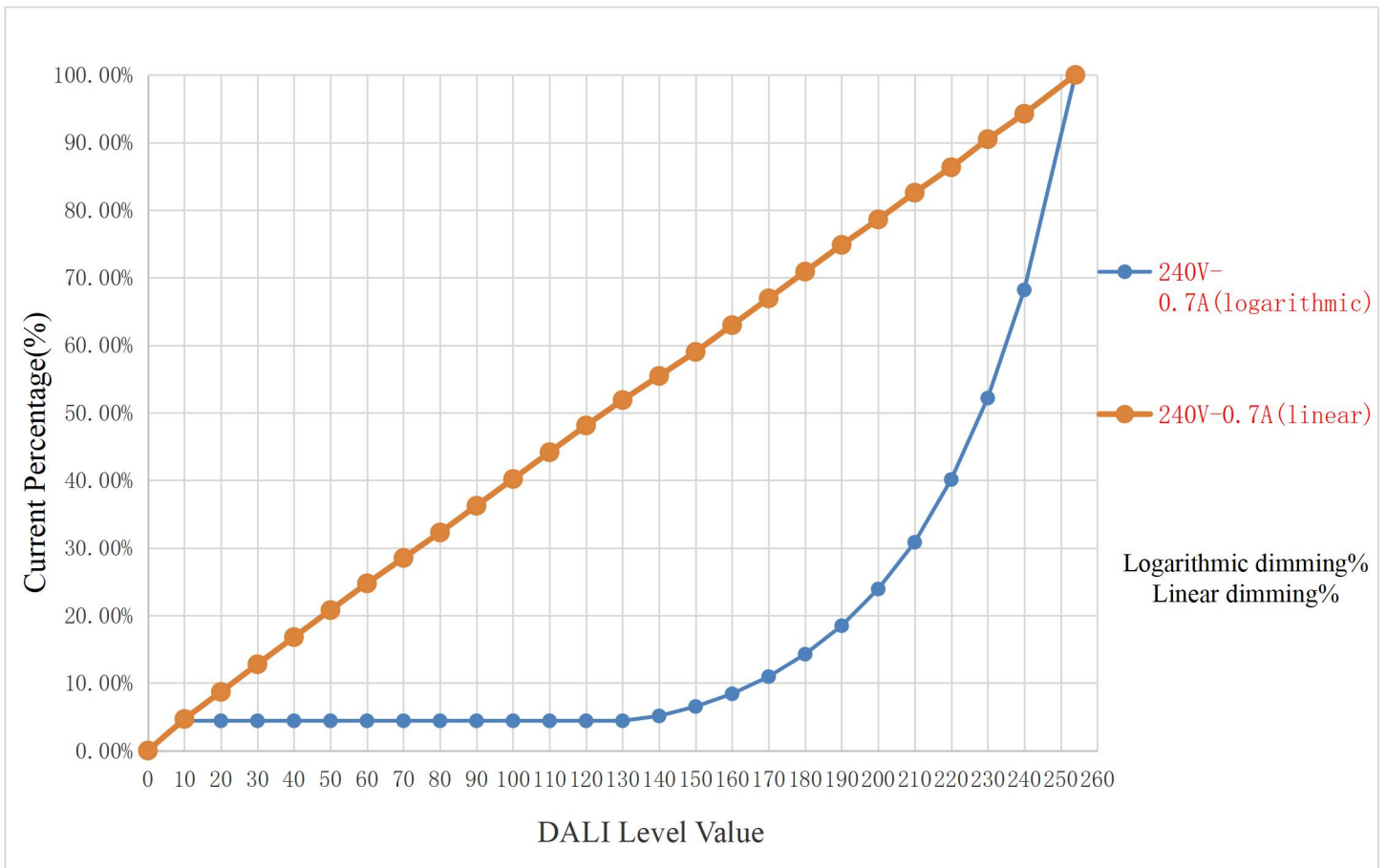
Big side cap	Wire type
0.5mm <sup>2</sup>	H03VVH2-F 2 core&3 core
	H03VV-F 2 core&3 core
0.75mm <sup>2</sup>	H03VVH2-F 2 core&3 core
	H03VV-F 2 core&3 core
	H05VV-F 2 core&3 core&4 core
1.0mm <sup>2</sup>	H05VVH2-F 2 core&3 core
1.5mm <sup>2</sup>	CCC 08(RV-90)
	H05VV-F 2 core&3core

Note: Solid wire is risky to use on an angled terminal. Stranded wire is recommended for this kind of use.

## ◆ Packaging

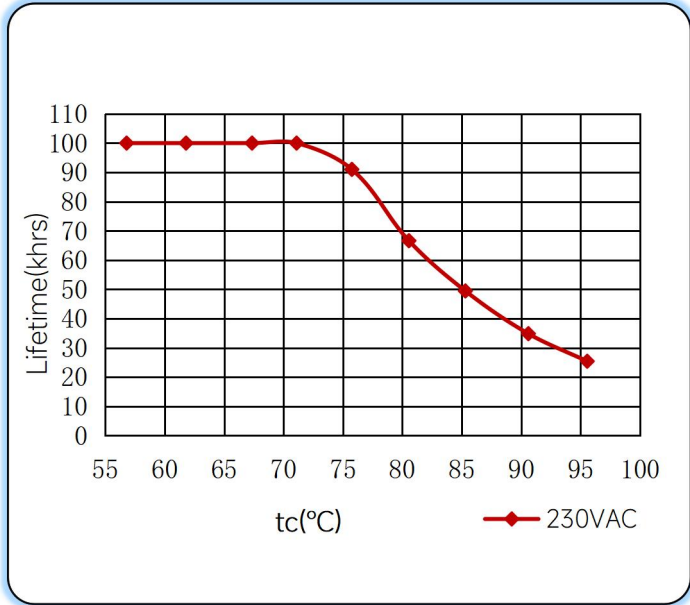
Model	Product Dimensions (mm)	weight/ piece(Kg)	Outer carton dimension(mm)	Quantity/carton	Net weight/carton(Kg)	Gross weight/carton(Kg)
FLS-20-500 DALI-2 DT8 LN ADV	98 x 43 x 22mm	0.085	310 x 265 x 210mm	126	10.71	11.52

## ◆ The dimming curve

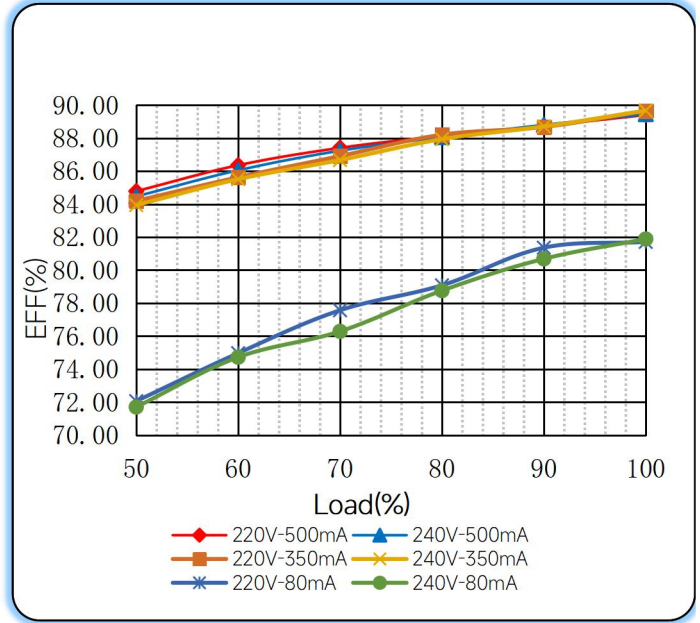


## ◆ Curve for FLS-20-500 DALI-2 DT8 LN ADV, $I_o=80/350/500mA$

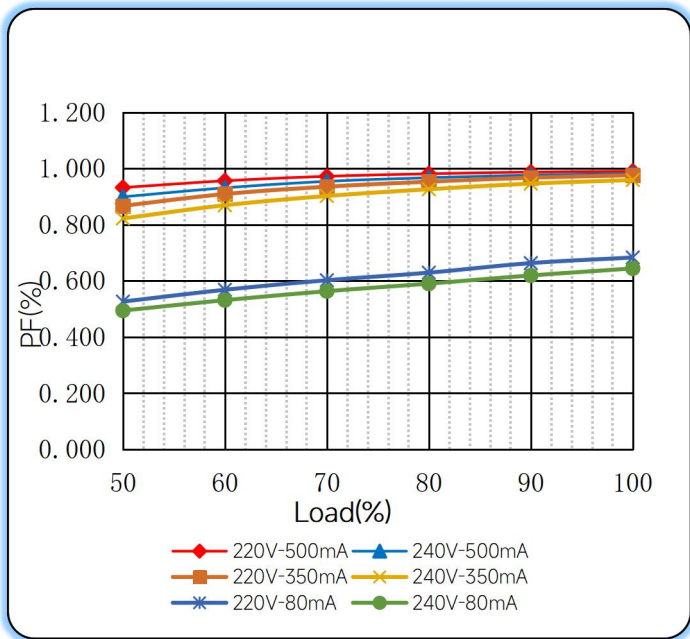
### Lifetime vs. Temperature Curve



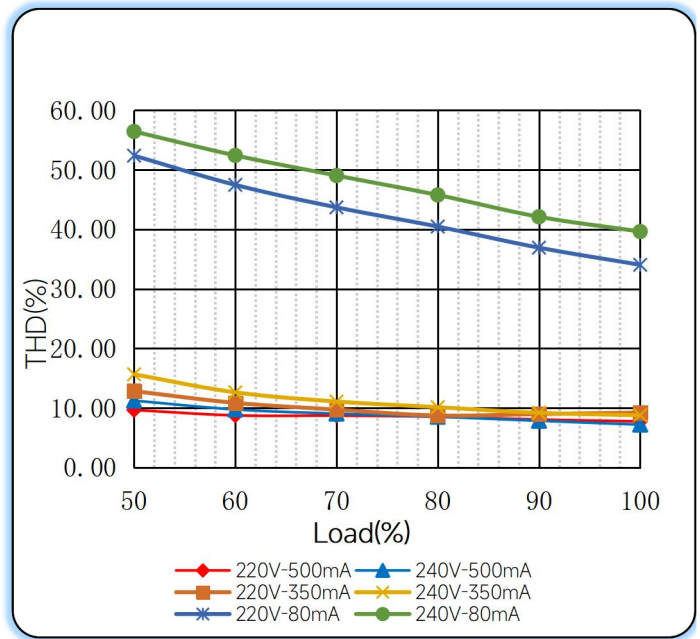
### Efficiency vs. Load



### Power Factor Characteristics



### THD vs. Load



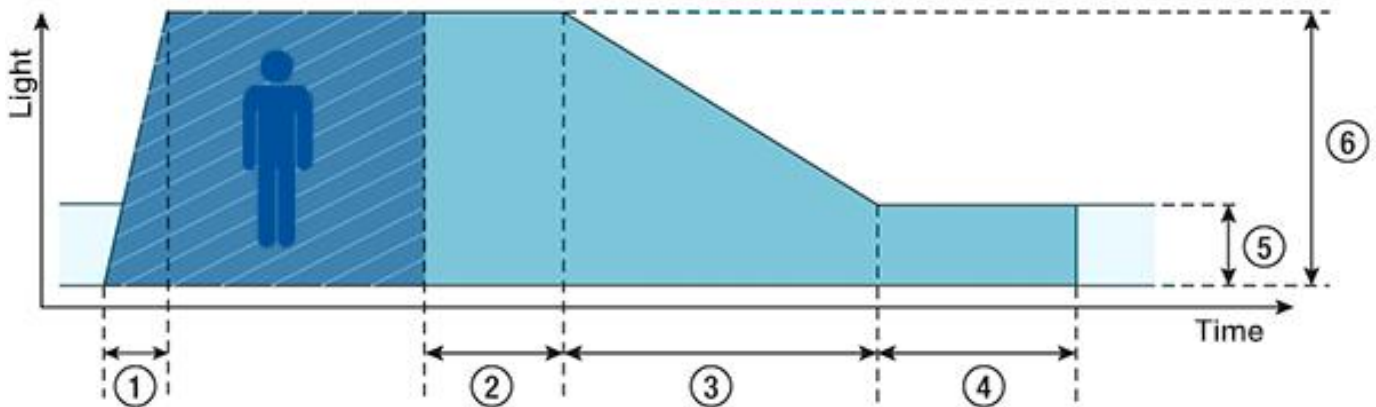
## ◆ Push dimming operation

Action	Action duration	Function
Short push	<0.5s	Turn on/off
Short push twice	<0.5s	LED on: Save current brightness level LED off: Delete saved level and turn on at 100% brightness
Short push five times	<3s	Quit Corridor mode
Long push	0.5-14s	Dimming up or down
Long push	15s-2mins	Sync all LEDs to be 100% brightness
Long push	>2mins	Enter Corridor mode - LED keep 100% brightness for 2mins. Then brightness will turn to be 10% within 32s if no action during 2mins 100% brightness.

### Note:

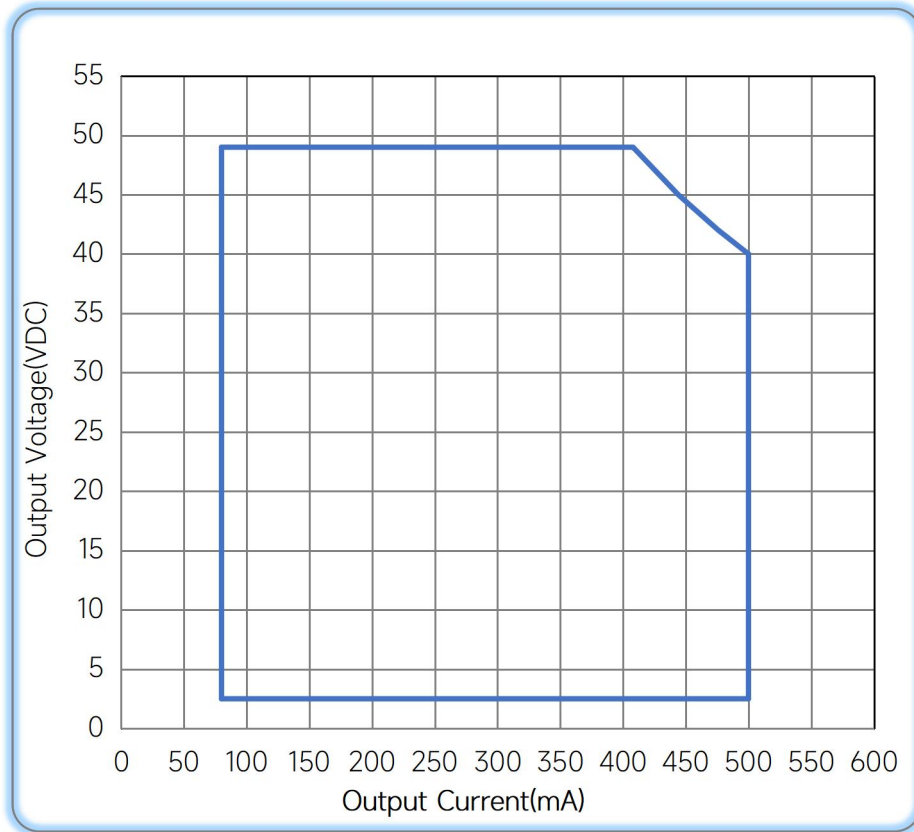
- 1.The factory default brightness is at 100%.
- 2.Up to 30 drivers can perform the PUSH dimming at the same time when utilizing one common push button
- 3.The maximum length of the cable from the push button to the last driver is 200 meters.

## ◆ Corridor mode



- ◆ ① **Fade-in time(0.5s)**: the time that starts as soon as the presence of a person is detected. During the fade-in time the luminous intensity is faded up to the presence value.
- ◆ ② **Run-on time(120s)**: the time that starts as soon as the presence of a person is no longer detected. If the presence of a person is detected again during the run-on time the run-on time is restarted from zero. If no presence is detected during the run-on time the fade time is started as soon as the run-on time expires.
- ◆ ③ **Fade time(32s)**: the time during which the luminous intensity is faded from the presence value to the absence value.
- ◆ ④ **Switch-off delay (level=10%.Non-configurable)**: the time during which the absence value is held before the lighting is switched off. Depending on the profile selected the switch-off delay may have different values or may not be defined.
- ◆ ⑤ **Absence value(default: 10 %)**: the luminous intensity when there is no person present.
- ◆ ⑥ **Presence value (default: 100 %)**: the luminous intensity when persons are present.

## Operating window



— Operating Window 100%

## ◆ Revision Updates

ITEM	BEFORE	AFTER	VERSION	DATE
Initial			A	2025/12/05
Update			B	2026/05/09

Remark: The final interpretation of the contents of the specification belongs to Eaglerise Electric & Electronic (China) Co., Ltd.

Tel: +86-0757-86256822, +86-0757-86256831

E-mail: sales@eaglerise.com

Website : <https://lighting.eaglerise.com>



EAGLERISE



Manual